

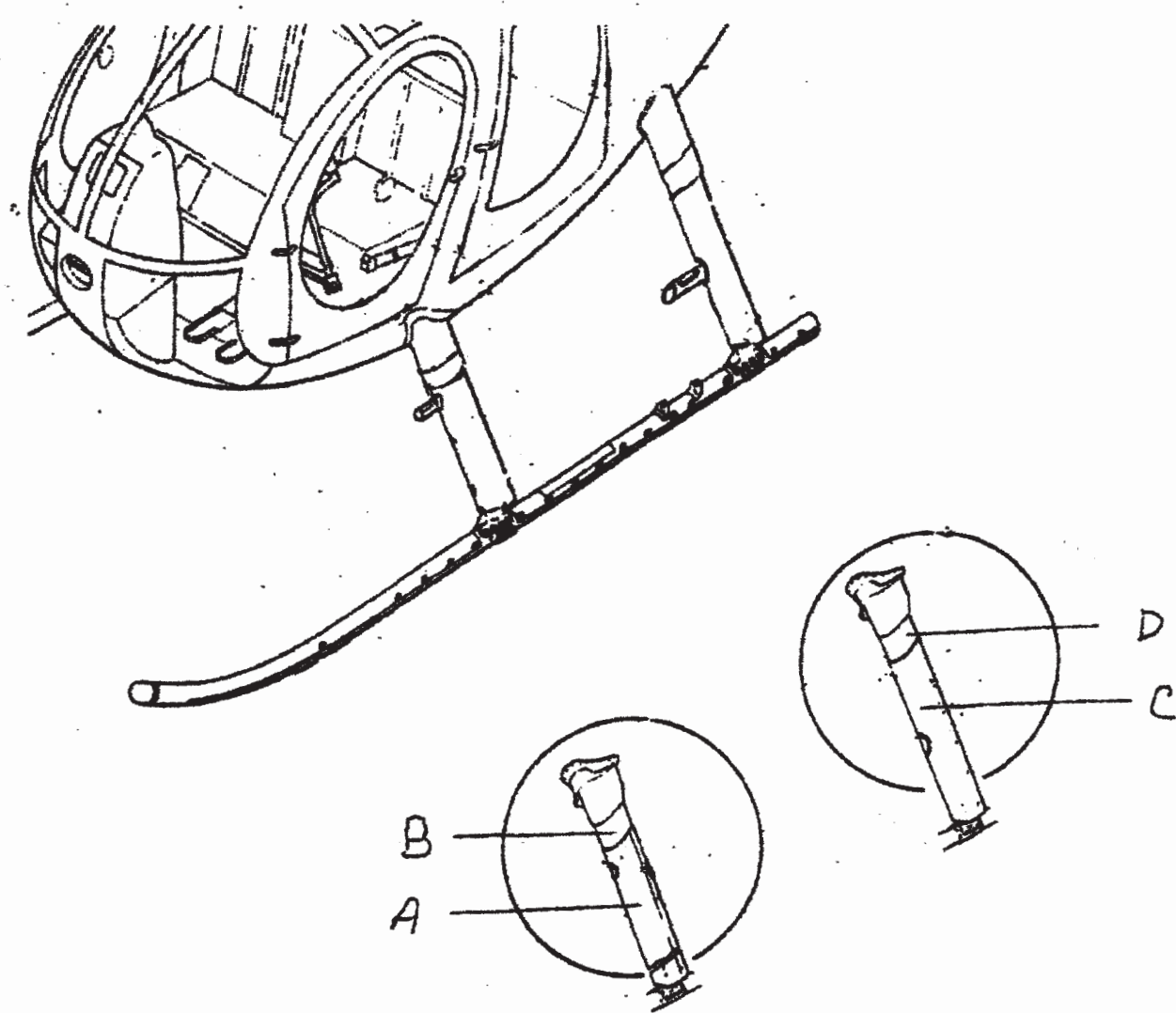
**Cascade STC, LLC.**

**STC# SH4344NM**

**MD 500 Series Landing gear Installation**

**By Area**

**Left and Right are Symmetrical**



## Landing Gear Fairing Installation Matrix, CAR-5010

### Extended Landing Gear

	Area			
	A	B	C	D
- 1	X			
-51	X			
-51A	X			
-2		X		
-52		X		
-3			X	
-53			X	
-53A			X	
-4				X
-54				X

### Standard Landing Gear

	Area			
	A	B	C	D
-5	X			
-55	X			
-2		X		
-52		X		
-7			X	
-57			X	
-4				X
-54				X

### Emergency Float Landing Gear

	Area			
	A	B	C	D
-1F	X			
-2F		X		
-3F			X	
-4F				X

..... **END** .....